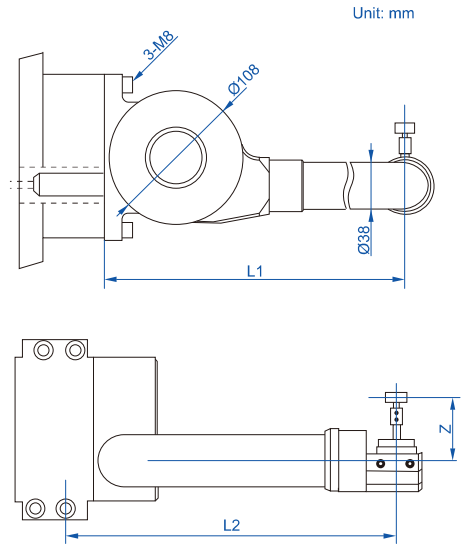


AUTOMATIC ZERO SETTER SYSTEM FOR LATHE

IP68
WATERPROOF



- Signal transmission through the cable
- Automatically set the tool parameters before CNC machining process
- Automatic detection of tool wear or damage during CNC machining
- Automatic detection of tool wear or damage after CNC machining is completed
- The working surface of anvil is ceramic and has chamfer, which can greatly improve the service life
- The tool holder is sturdy and durable, ensuring long-term operation in hard machining environments
- Achieve large-scale unmanned production to ensure consistency and reliability in processing

SPECIFICATION

Code	9418-100	9418-200	9418-300
Tool holder length (L1)	250mm	286mm	335mm
Tool holder length (L2)	219.2mm	249.2mm	298.2mm
Outer diameter of the lathe chuck	6in	8in	10in
Tool block height (Z)*	41mm	51mm	51mm
Tool block size	16×16×8mm		
Trigger direction	±X, ±Z		
Repeated trigger accuracy	≤1μm		
Dust/water proof	IP68		
Trigger force in all directions	0.7-1.0N		
Cable length**	5m		

* Can be adjusted to fit the lathe tool dimension

** Cable length can be customized to 2m/10m

application

